

Lilliput Mizar

Short-rise Platform lift with/without shaft

Lilliput and Mizar are high-performance short-rise minilifts designed to overcome architectonic barriers between two floors.

Lilliput comes with a steel enclosure, eliminating the need for masonry work. The structure of Mizar is simple in design, allowing it to be fitted into a standard masonry shaft way.

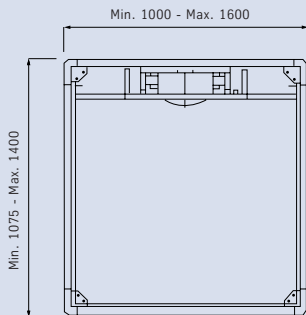
The modular structure of both lifts allows for fast installation. Robustness in materials and high-quality finishes make Lilliput and Mizar ideal for both indoor and outdoor applications. Lilliput and Mizar are weatherproof.



Dimensions

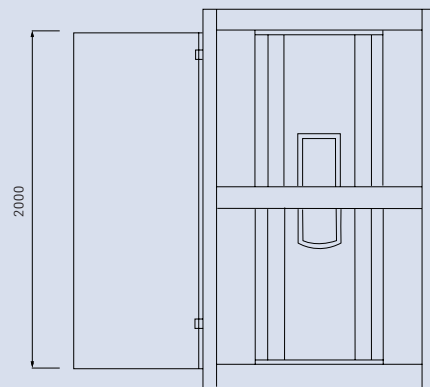
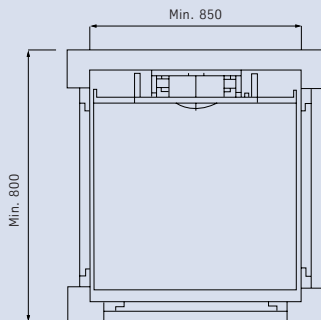
Lilliput

with shaft



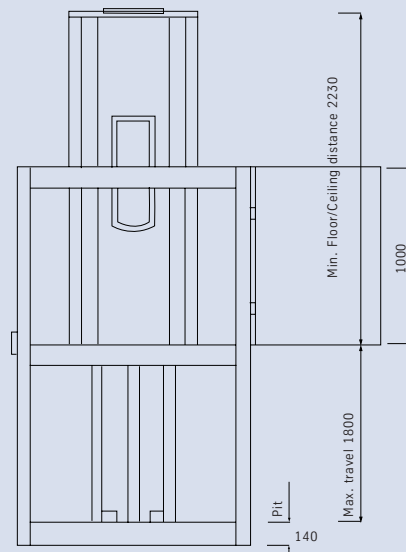
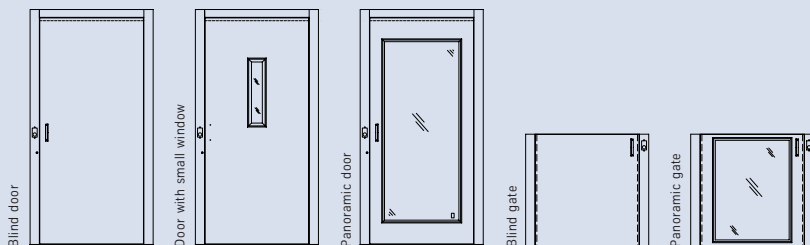
Mizar

for masonry shaft



Operation

The lift works as a standard vertical platform lift. The controls are operated by constant pressure.



Technical Specifications

Stops	: 2
Capacity	: max. 300 Kg
Travel	: 0,2 - 1,8 M
Pit depth	: Lilliput 140 mm
	: Mizar 120 mm
Drive system	: hydraulic
Controls	: hold to run
Speed	: max. 5 cm/s
Motor	: max. 1,1 kW
Power supply	: 230 Volt 50 Hz
Norm compliance	: 98/37/CE

Options

- Access ramp (no pit)
- Housing for electrical cabinet and hydraulic pump
- Different platform sizes
- Choice of RAL-colours for doors, platform (Lilliput/Mizar) and shaft (Lilliput)
- Electrical door openers
- Shaft metallic colours (Lilliput)
- Stainless steel platform finish
- Folding-seat