



CanGulf Engineering FZC

Hamriyah Free Zone. Sharjah. United Arab Emirates: Licence No. 9505

Wall-mounted or long cased axial fans

Manufacturing features:



Wall-mounted or long cased axial fans, supplied with Fabricated impeller and with aluminium impeller.

Construction:

- Sheet steel long casing
- 6 leaf-fabricated impellers and cast aluminum impellers.
- Airflow direction from motor to impeller

Motor:

- Class F motors, with ball bearings, IP55 protection, size 45 to 56, IP54 protection. 1 or 2 speeds depending on model
- Single-phase 230V.-50Hz., and three-phase 230/400V.-50Hz.
- Working temperature: -25°C.+ 50°C.

Finish:

Anticorrosive finish in polyester resin, polymerised at 190°C. degreasing and phosphate-free pre-treatment.

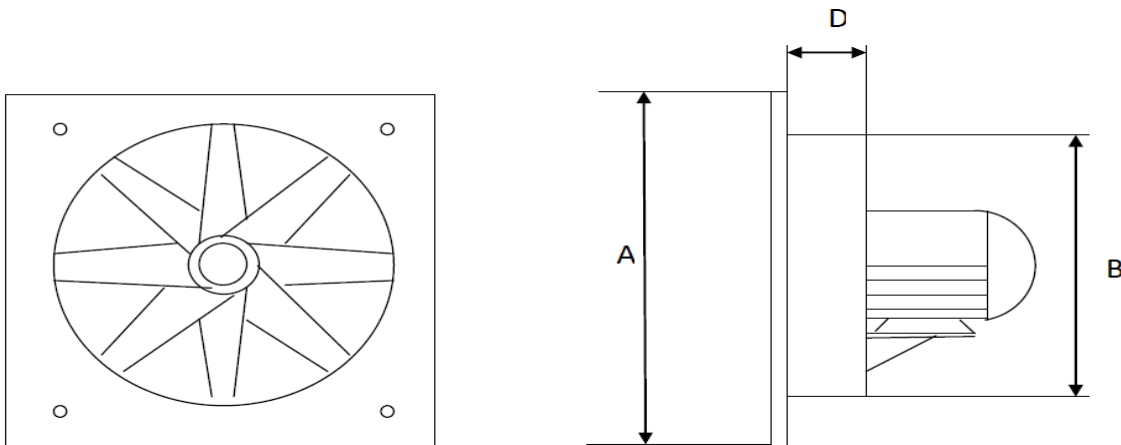
On Demand:

- Airflow direction from impeller to motor.
- 100% reversible impellers.

• Technical specifications:

R.P.M.	I _{max} 400 V(A)	Power (Kw)	Airflow (cfm)	dB(A)	Weight (Kg)
900	2.2	1.5	8000	83	70

• Dimensions:



A(Inches)	B(Inches)	D (inches)
30	28	5

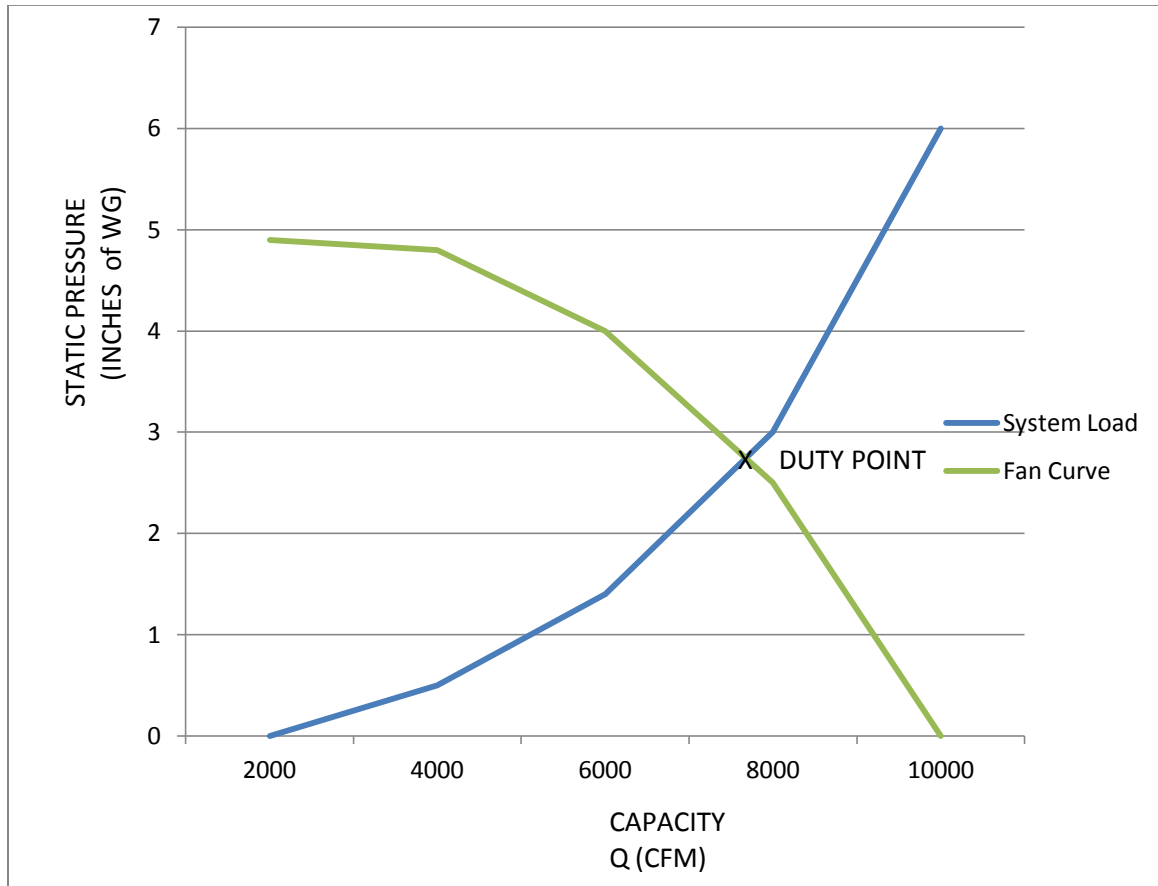
Registered Address: 100F-29 Hamriyah Free Zone, POB 50162, Sharjah. UAE

Contact Tel: : 050 1925766, 050 9300732



Wall-mounted or long cased axial fans

- **Performance curve:**



Design point: Q = 6500 cfm P = 2.8 inches

Sound Level:

DISTANCE	1.5 METER	2 METER
Db	81	80



CanGulf Engineering FZC

Hamriyah Free Zone. Sharjah. United Arab Emirates: Licence No. 9505

Roof-mounted axial fans

• Manufacturing features:



- Roof-mounted axial fans, supplied with fabricated impeller and with aluminium/MS impeller.

Construction:

- Sheet steel long casing
- 6 leaf-fabricated impellers and cast aluminium impellers.
- Airflow direction from motor to impeller

Motor:

- Class F motors, with ball bearings, IP55 protection, size 45 to 56, IP54 protection. 1 or 2 speeds depending on model
- Single-phase 230V.-50Hz., and three-phase 230/400V.-50Hz.
- Working temperature: -25°C+ 50°C.

Finish:

- Anticorrosive finish in polyester resin, polymerised at 190°C.
- Degreasing and phosphate-free pre-treatment.

On Demand:

- Airflow direction from impeller to motor.
- 100% reversible impellers.

Technical specifications:

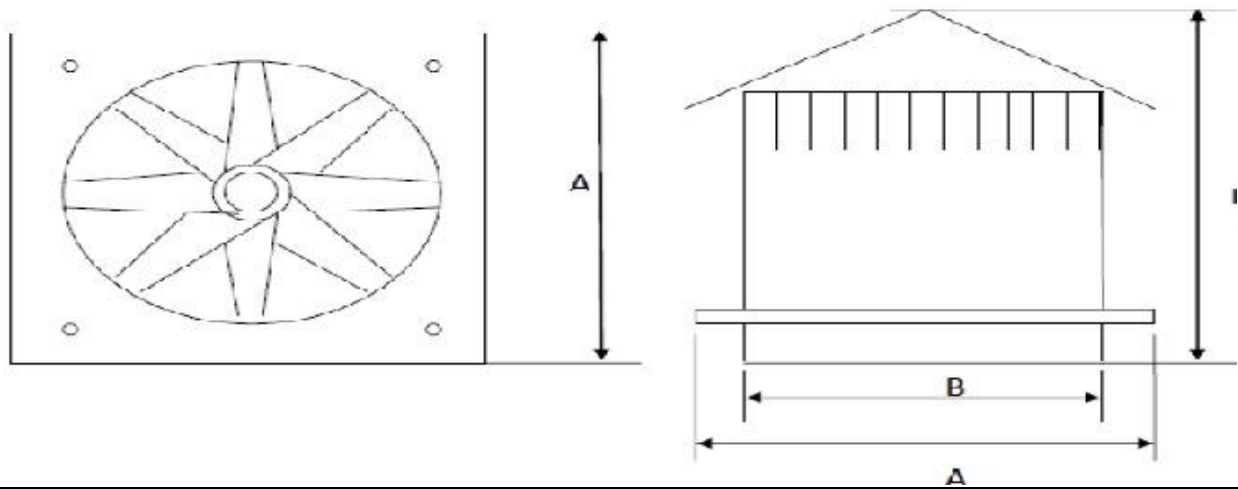
RPM	I _{max} 400V (A)	Power (KW)	Airflow (cfm)	dB(A)	Weight (Kg)
1400	4.8	2.2	10000	84	65



CanGulf Engineering FZC

Hamriyah Free Zone. Sharjah. United Arab Emirates: Licence No. 9505

Dimensions:

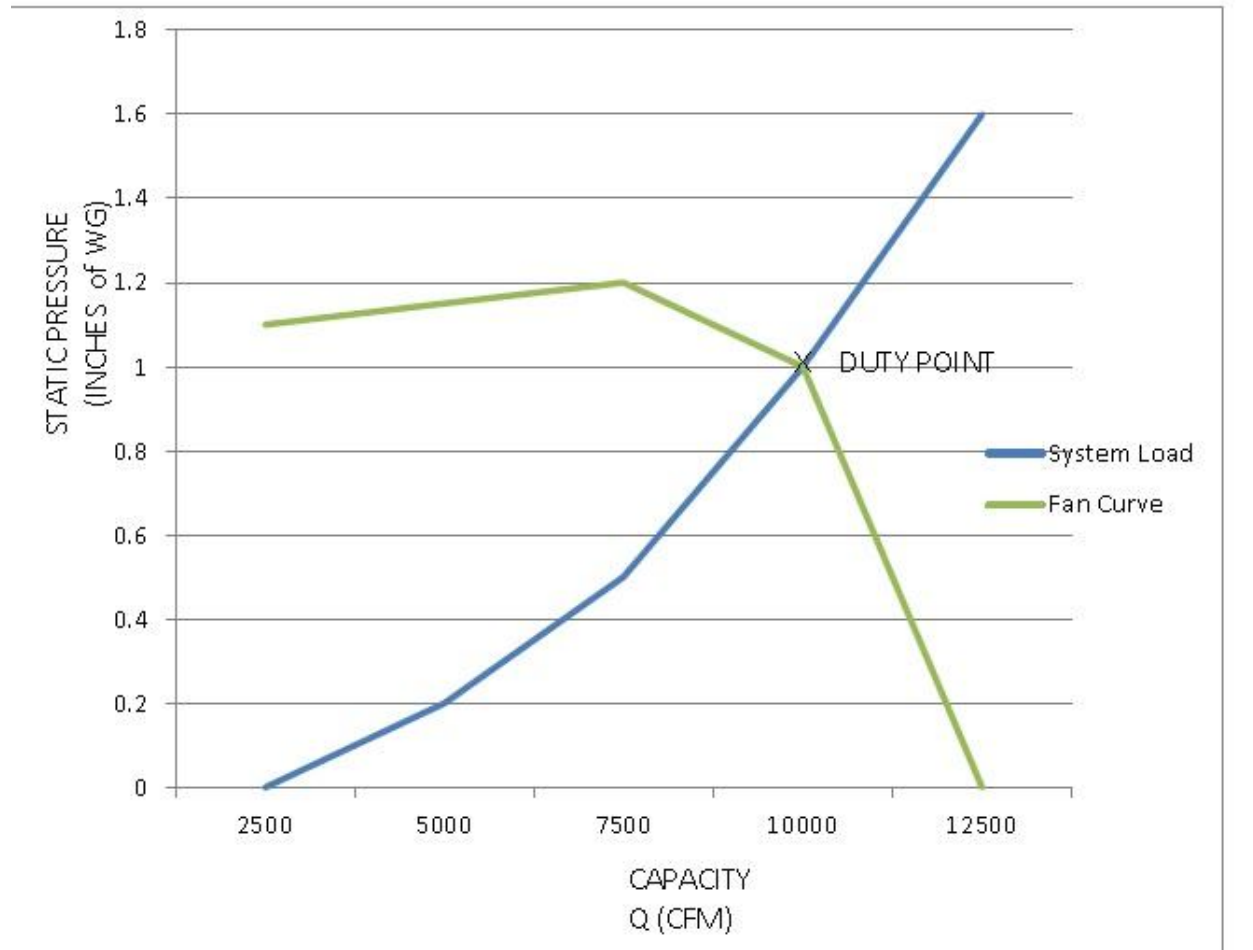


A(Inches)	B(Inches)	H (Inches)
30	28	22



CanGulf Engineering FZC

Hamriyah Free Zone. Sharjah. United Arab Emirates: Licence No. 9505



Design point: Q=10000 cfm P= 1 Inches

Sound Level:

DISTANCE	1.5 METER	2 METER
Db	84	82